

FRIGIDAIRE

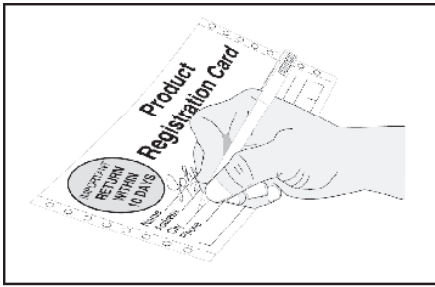
C O M M E R C I A L

COMMERCIAL FREEZER/REFRIGERATOR GLASS DOOR REFRIGERATOR

TABLE OF CONTENTS

Product Registration.....	2
Important Safety Instructions.....	2
Electrical Information.....	3
Caster Installation and Setup	3-4
Appliance Start-up.....	4
Features.....	5
Routine Maintenance.....	5-6
Energy Conservation Measures.....	6
Troubleshooting Guide.....	7-8
Wiring Diagram.....	9

Product Registration



These instructions include information which is intended to assure the operator of correct installation, operation and service. Before attempting installation, adjustment or maintenance, be certain of the following:

- That you have read and fully understand the instructions.
- That you have all the tools required and are trained to use them.
- That you have met all installation and usage restrictions and are familiar with the functions and operations of the unit.
- That you follow all instructions exactly as given.

All the fittings, measurements, recommendations and procedures are significant. Substitutions and approximations must be avoided. Improper handling, maintenance, installation and adjustment, or service attempted by anyone other than a qualified technician, may void the future warranty claims and cause damage to the unit and/or result in injury to the operator and/or bystanders. Record Your Model and Serial Numbers

Record your Model and Serial Numbers

Record the model number and serial number of this appliance in the space provided below (the serial plate is located inside the cabinet compartment).

Model No. _____
Serial No. _____
Installation Date _____
Invoice Date _____
Start-up Date _____
Telephone for Service _____

Register Your Product

The self-addressed **PRODUCT REGISTRATION CARD** (shown above) should be filled in completely, signed and returned to the address provided.

Important Safety Instructions

Read all instructions before using this appliance

⚠ WARNING For Your Safety

Do not store or use gasoline or other flammable vapors and liquids in the vicinity of this unit or any other appliance. Read product labels for flammability and other warnings.

⚠ WARNING Child Safety

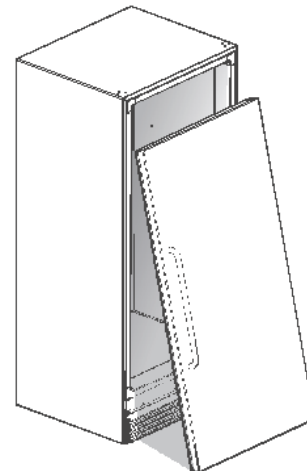
- Destroy carton, plastic bags, and any exterior wrapping material immediately after the appliance is unpacked. Children should never use these items for play. Cartons covered with rugs, bedspreads, plastic sheets or stretch wrap may become airtight chambers and can quickly cause suffocation.
- A child might suffocate if he crawls into the appliance to hide or play. Remove the door/lid of the appliance when not in use, even if you plan to discard the appliance. Many communities have laws requiring you to take this safety precaution.

Proper Disposal of Appliance

⚠ WARNING Risk of Child Entrapment

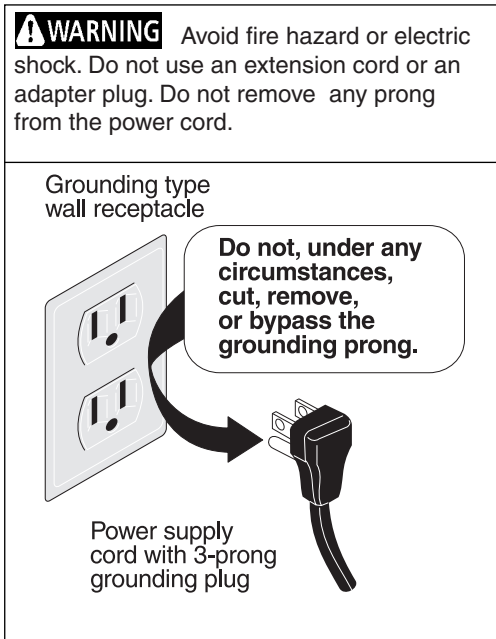
Child entrapment and suffocation are not problems of the past. Junked or abandoned refrigerators or freezers are still dangerous – even if they will sit for “just a few days”. If you are getting rid of your old refrigerator or freezer, please follow the instructions below to help prevent accidents:

- Remove the door.
- Leave shelves in place so children may not easily climb inside.
- Have the refrigerant removed by a qualified technician.



⚠ WARNING Electrical Information

These guidelines must be followed to ensure that safety mechanisms in the design of this appliance will operate properly.



- Refer to the serial plate for correct electrical rating. The power cord of the appliance is equipped with a three-prong grounding plug for protection against shock hazards. It must be plugged directly into its own properly grounded three-prong receptacle, protected with a 15 amp time delay fuse or circuit breaker. The receptacle must be installed in accordance with the local codes and ordinances. Consult a qualified electrician. Receptacles with Ground Fault Circuit Interrupters (GFCI) are NOT RECOMMENDED. DO NOT USE AN EXTENSION CORD OR AN ADAPTER PLUG.
- If the voltage varies by 10 percent or more, appliance performance may be affected. Operating the appliance with insufficient power can damage the motor. Such damage is not covered under the warranty. If you suspect your voltage is high or low, consult your power company for testing.
- To prevent the appliance from being turned off accidentally, do not plug the unit into an outlet controlled by a wall switch or pull cord.
- DO NOT pinch, knot, or bend the power cord in any manner.

⚠ WARNING Other Precautions

- NEVER unplug the appliance by pulling on the power cord. Always grip the plug firmly and pull straight out from the receptacle.
- To avoid electrical shock, unplug the appliance before cleaning.

NOTE: Turning the control to “OFF” turns off the compressor but does not disconnect power to other electrical components.

Caster Installation and Set-up

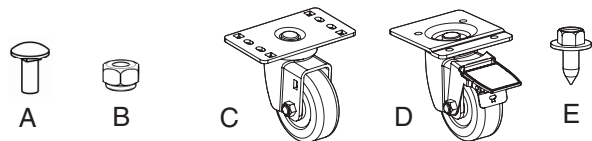
Inspection for Damage

Inspect the underside of the cabinet and packaging for damage, similar to what can be caused with a forklift. If hidden damage is found after uncrating, immediately call the delivery carrier and request an inspection. Retain all packaging and crating materials until the inspection is complete.

Parts and Accessories

Check to make sure that you have received the box containing all of the components listed below.

A	Carriage Bolt (4)	D	Fixed Caster (2)
B	Lock Nut (4)	E	Hex Screw (10)
C	Swivel Caster (2)		



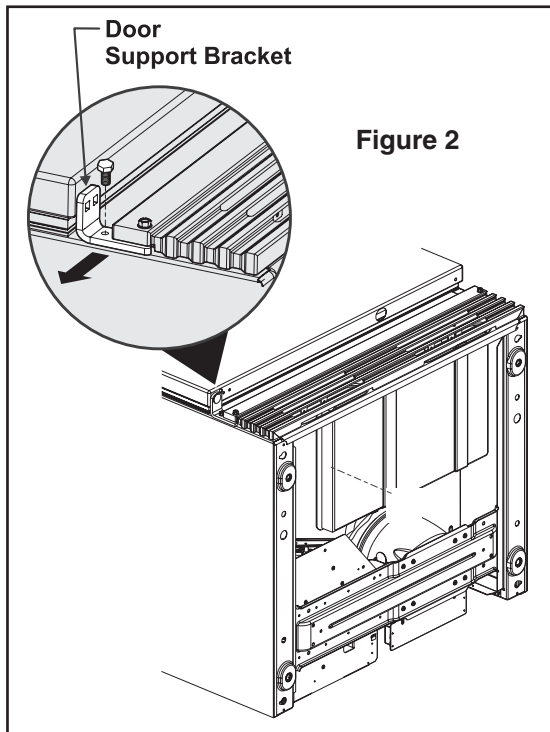
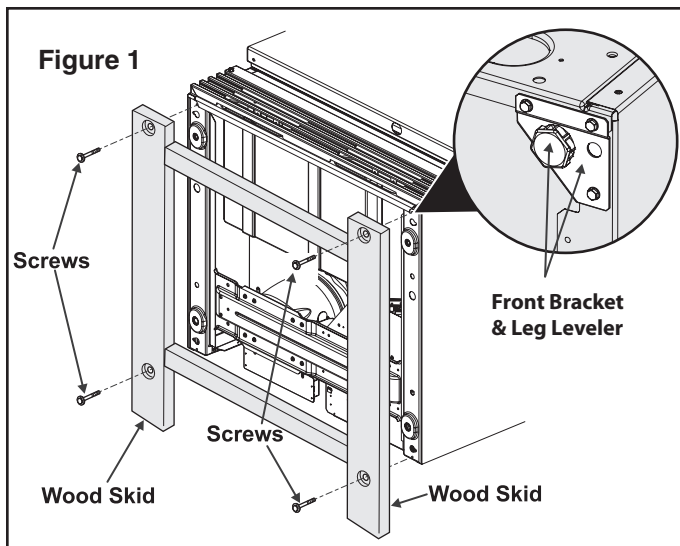
Tools Needed

The following tools are required to assemble and install the casters to the unit:



Uncrating and Set-up

1. Remove carton and all loose parts from inside the unit.
2. Remove the rear access guard and place it and the screws in a safe place for reassembly later.
3. Using an assistant, carefully tip the unit onto its back and rest on blocks to avoid damaging the condensate drain hose and the plastic raceway that covers the evaporator tubing on the back of the cabinet.
4. Remove the four screws holding the wood skid to the bottom of the unit using a 3/8" socket wrench. See Figure 1. Discard the wood skid and screws.
5. Remove and discard the two front brackets with leg leveler using a 5/16" socket wrench. See Figure 1.
6. FOR GLASS DOOR MODELS ONLY - Remove bottom door support bracket and screw opposite the door hinge using a 3/8" socket wrench. See Figure 2.



Front Fixed Caster Installation

1. Locate and align fixed caster (with brake lever facing front of unit - see Figure 3) over the same mounting holes from bracket in Figure 1 using six hex screws (3 for each caster). Secure the screws snug using a 3/8" open end wrench. Repeat this procedure for opposite corner. **DO NOT OVERTIGHTEN.**

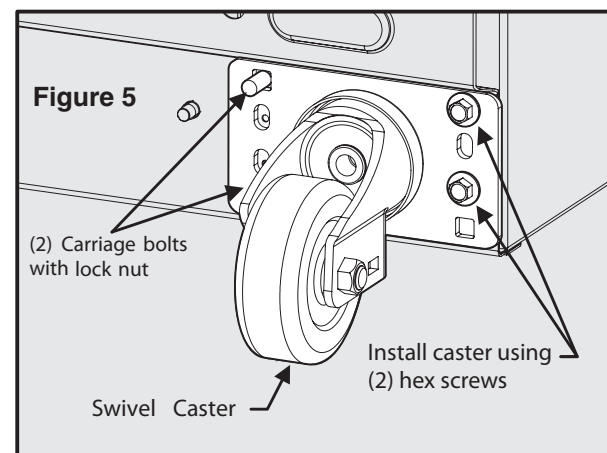
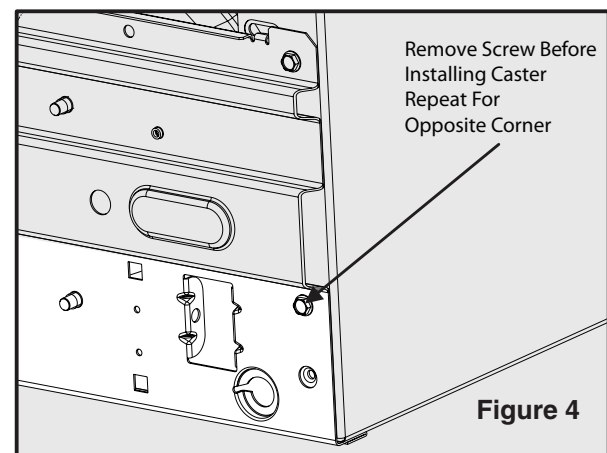
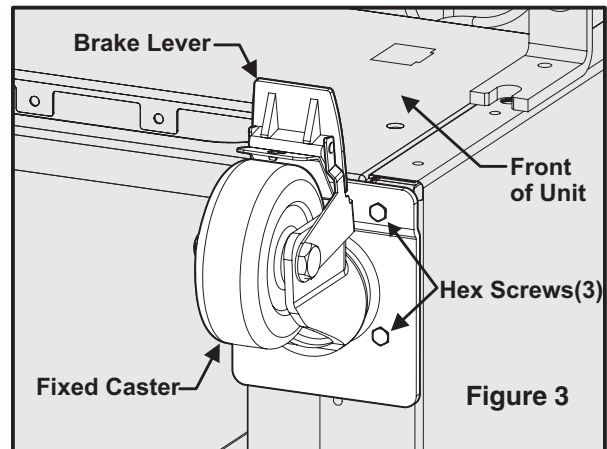
Rear Swivel Caster Installation

1. Remove and discard the screws shown in Figure 4 from each bottom corner using a 5/16" socket wrench.
2. Locate and align swivel caster over the holes and install with two hex screws. Secure the screws snug using a 3/8" socket wrench. **DO NOT OVERTIGHTEN.**
3. On the opposite side of the swivel caster plate, insert two carriage bolts through the compressor support rail and swivel caster plate. Use a lock nut on each bolt and tighten securely using a 9/16" socket wrench. See Figure 5.
4. Repeat the same procedure for the opposite rear corner.

5. With the help of an assistant, carefully upright the unit. Reassemble the rear access guard with screws.

CAUTION

Unit will roll forward as it is tipped up.



Appliance Placement

Leave a one (1) inch space on all sides and the back of the cabinet for ease of installation, proper air circulation and electrical connections. **DO NOT** block the front grill on the lower front of your appliance. Sufficient air circulation is essential for the proper operation of your appliance. Choose a place that is near a grounded electrical outlet. For the most efficient operation, the appliance should be located where surrounding temperatures will not drop below 40°F (5°C) or exceed 110°F (43°C). Additional compressor heaters are not recommended.

Cool Down Period

For safe food storage, allow 24 hours for the appliance to cool down completely before loading with food. The appliance will run continuously for the first several hours. Do not place any food in the appliance until after the first 24 hours of operation.

Thermostat Setting

The appliance is shipped from the factory with the thermostat set at about the mid-point of the operating range. Adjustments colder or warmer can be made after the appliance has been running for at least 8 hours. Allow at least 8 hours for temperature stabilization before re-adjusting the thermostat.

Defrost Setting

The appliance is designed to defrost automatically every 12 hours. To set the time of defrost, wait until the desired time to defrost. With the notch on the timer knob aligned with the line on the bracket (Fig. A), turn the defrost timer knob clockwise slowly. The timer will click several times, then once loudly, at which point the defrost cycle begins. The timer knob will advance through the defrost cycle, then click loudly at the end of the cycle. The appliance will defrost automatically every 12 hours after the first defrost cycle.

For example, to set the appliance to defrost at 10:00 AM, turn the timer knob clockwise at 10:00 AM until the timer clicks loudly. The appliance will defrost daily at 10:00 AM and again 12 hours later at 10:00 PM. NOTE: The appliance interior temperature will rise slightly during the first defrost cycle.

Insulation

The insulated space of this cabinet is sealed to maintain peak efficiency. Holes drilled in the cabinet may destroy that seal and damage electrical wiring located in the insulated space.

DAMAGED ELECTRICAL WIRING OR WET INSULATION CAUSED BY DRILLING WILL VOID THE WARRANTY.

Appliance Start-up

Once the appliance has been located in its permanent location and the proper power and grounding has been provided, the following items must be checked or completed:

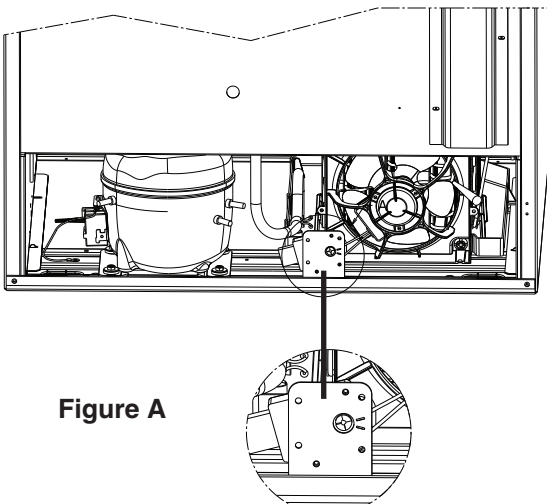
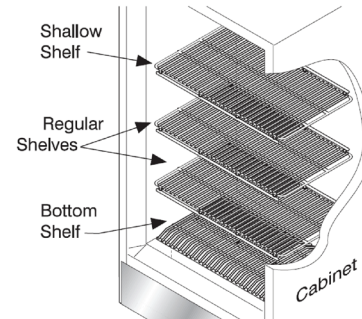


Figure A

Features

- Heavy duty epoxy powder coated adjustable shelves
- NSF certified top mounted evaporator
- 2-½" urethane foam cabinet insulation
- Torsion spring door closer
- Heavy duty fixed and swivel casters
- 17 watt fluorescent lamp
- Stainless steel evaporator housing
- Removable stainless steel drain cover
- Adjustable temperature control
- NSF certified interior
- Heavy duty front grill
- Heavy duty commercially rated electrical harness
- Heavy duty removable stainless steel shelf support



This appliance is provided with four shelves; one goes on the floor of the cabinet and the other three are placed in the metal side supports, wherever they are needed. The shallow shelf goes in the upper position.

Casters

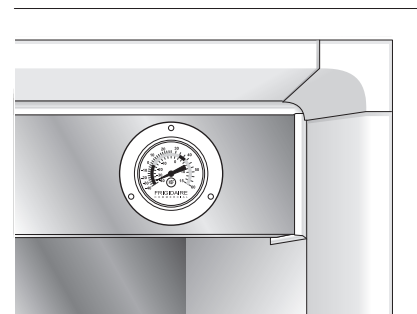
The appliance comes with four casters; two with locks for the front of the unit and two without locks for the back of the unit. The casters allow you to move the unit to its final destination with ease. The casters can then be locked into place. (Refer to pages 3-4 for instructions.)

Adjustable Temperature Control

The adjustable cold control is located on the top left side of the evaporator housing inside the unit. "5" is the medium (recommended) setting and "9" is the coldest setting.

NSF Certified Temperature Gauge

This appliance is equipped with an NSF certified temperature gauge to display cabinet internal temperature. The temperature gauge is located on the top right side of the evaporator housing inside the unit.



Fluorescent Lamp (Glass Door Models)

- The Glass Door Refrigerator is equipped with a 17 watt fluorescent lamp. A ballast – lamp mismatch may result in poor or no lighting.
- If the lamp fails, replace with a lamp of the same type and wattage. Also, replace a lamp that flickers continuously. This could damage the ballast.
- Turning the light off, when not in use, will save energy. However, frequent ON-OFF cycling will reduce the lamp life.
- Use only NSF certified lamp which can be ordered from your Frigidaire Commercial Service Center by calling 1-866-738-1640.

Interior Light (Stainless Steel Door Models)

The Stainless Steel Door models are equipped with a 40 watt bulb that lights up when the door is opened. If the bulb goes bad, replace with bulb of the same type and wattage. This is a special bulb with a shatterproof coating. Use only an NSF certified bulb of the same type and wattage which can be ordered from your Frigidaire Commercial Service Center by calling 1-866-738-1640.

Routine Maintenance

Cleaning the Interior

Be sure to turn the temperature control to “OFF” and unplug the electrical cord. Wash the inside surface of the storage area with warm water and baking soda solution (about one tablespoon of baking soda per quart of warm water). Rinse thoroughly with clean, warm water and wipe dry.

Cleaning the Exterior

Wipe the cabinet exterior occasionally with a cloth dampened in mild detergent and water. Rinse and wipe dry with a soft cloth. Do not use razor blades or other sharp instruments that can scratch the appliance surface when removing adhesive labels. Any glue left from the tape can be removed with a mixture of warm water and mild detergent or touch the residue with the sticky side of tape already removed. **DO NOT REMOVE THE SERIAL PLATE.**

Condensate Pan

Some models have a condensate pan in a fixed position located behind the toe grill. This must not be removed from under the cabinet. If the pan is removed, condensate will drop onto the floor.

Power Failure

DO NOT open the appliance lid unnecessarily if the appliance is off for several hours.

If a power failure occurs, pack seven or eight pounds of dry ice into the appliance every 24 hours. Look in the Yellow Pages under “Dry Ice”, “Dairies”, or “Ice Cream Manufacturers” for local dry ice suppliers. Always wear gloves and use caution when handling dry ice.

Energy Conservation Measures

This appliance is designed for efficiency with heavy foam insulation. However, there are things that the user can do to maintain the appliance in operating condition.

- Do not operate the appliance any colder than necessary to maintain safe, product storage temperatures.
- Make sure the appliance is located to prevent direct exposure to sunlight, air ducts, etc.
- Keep the door closed except for normal use. Inspect the door often to see that it self-closes and the gaskets are in good condition.
- Do not overstock the product in the cabinet because it will block the normal air flow.
- Have at least annual inspections by a qualified service company to see that the refrigerant charge is correct.
- This appliance operates more efficiently in a cooler ambient than in a hot ambient. Try to maintain an ambient below 80°F (27°C) and 65% RH (Relative Humidity) for maximum efficiency.

Periods of Non-use and Moving Tips

Leave the appliance operating during periods of non-use of less than three (3) weeks.

Long Periods of Non-use

If the appliance will not be used for several months:

- Remove all food and unplug the power cord.
- Clean and dry the interior thoroughly.
- Leave the appliance door open slightly, blocking it open if necessary, to prevent odor and mold growth.

Moving

When moving the appliance, follow these guidelines to prevent damage:

- Disconnect the power cord plug from the wall outlet.
- Remove foods, then defrost, and clean the appliance.
- Secure all loose items such as base panel, baskets, and shelves by taping them securely in place to prevent damage.
- In the moving vehicle, secure appliance in an upright position to prevent movement. Also, protect outside of appliance with a blanket or similar item.

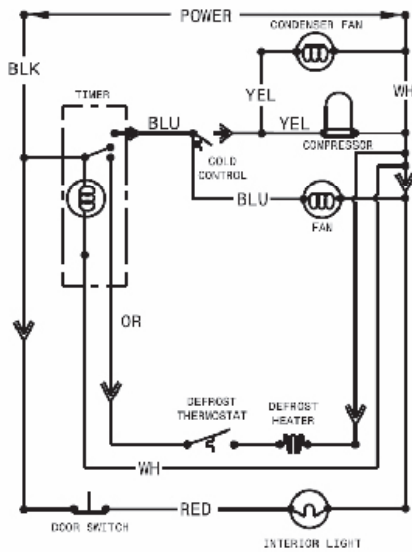
TROUBLESHOOTING GUIDE	Before calling for service, review this list. It may save you time and expense. This list includes common occurrences that are not the result of defective workmanship or materials in this appliance.	
PROBLEM	CAUSE	CORRECTION
APPLIANCE OPERATION		
Appliance does not run.	* Appliance is plugged into a circuit that has a ground fault interrupt.	* Use another circuit. If you are unsure about the outlet, have it checked by a certified technician.
	* Temperature control is in the "OFF" position.	* See Thermostat Setting.
	* Appliance may not be plugged in, or plug may be loose.	* Ensure plug is tightly pushed into outlet.
	* House fuse blown or tripped circuit breaker.	* Check/replace fuse with a 15 amp time delay fuse. Reset circuit breaker.
	* Power outage	* Check house lights. Call local Electric Company.
Appliance runs too much or too long.	* Room or outside weather is hot.	* It's normal for the appliance to work harder under these conditions.
	* Appliance has recently been disconnected for a period of time.	* It takes 24 hours for the appliance to cool down completely.
	* Large amount of warm or hot food have been stored recently.	* Warm food will cause appliance to run more until the desired temperature is reached.
	* Door is opened too frequently or kept open too long.	* Warm air entering the appliance causes it to run more. Open the door less often.
	* Appliance door may be slightly	* See "Door Problems".
	* Temperature control is set too low. * Appliance gaskets are dirty, worn, cracked or poorly fitted.	* Turn control knob to a warmer setting. Allow several hours for the temperature to stabilize. * Clean or change gasket. Leaks in the lid seal will cause appliance to run longer in order to maintain desired temperature.
Interior appliance temperature is too cold.	* Temperature control is set too low.	* Turn control knob to a warmer setting. Allow several hours for the temperature to stabilize.
Interior appliance temperature is too warm.	* Temperature control is set too warm.	* Turn control knob to a colder setting. Allow several hours for the temperature to stabilize.
	* Door is opened too frequently or kept open too long.	* Warm air entering the appliance causes it to run more. Open the door less often.
	* Appliance door may be slightly	* See "Door Problems".
	* Large amount of warm or hot food have been stored recently. * Appliance has recently been disconnected for a period of time.	* Wait until the appliance has had a chance to reach its selected temperature. * appliance requires 24 hours to cool down completely.
Appliance external surface temperature is warm.	* The external appliance walls can be as much as 30°F warmer than room temperature.	* This is normal while the compressor works to transfer heat from inside the appliance cabinet.
SOUND AND NOISE		
Louder sound levels whenever appliance is on.	* Modern appliances have increased storage capacity and more stable temperatures. They require heavy duty compressors.	* This is normal. When the surrounding noise level is low, you might hear the compressor running while it cools the interior.
Louder sound levels when compressor comes on.	* Appliance operates at higher pressures during the start of the ON cycle.	* This is normal. Sound will level off or disappear as appliance continues to run.
Popping or cracking sound when compressor comes on.	* Metal parts undergo expansion and contraction, as in hot water pipes.	* This is normal. Sound will level off or disappear as appliance continues to run.

PROBLEM	CAUSE	CORRECTION
SOUND AND NOISE (Cont.)		
Bubbling or gurgling sound,	* Refrigerant (used to cool appliance) is circulating throughout the system.	* This is normal.
Vibrating or rattling noise.	* Appliance is not level. It rocks on the floor when it is moved slightly.	* Level the appliance by putting wood or metal shims under part of the appliance.
	* Floor is uneven or weak.	* Ensure floor can adequately support appliance. Level the appliance by putting wood or metal shims under part of the appliance.
	* appliance is touching the wall.	* Re-level appliance or move appliance slightly.
WATER / MOISTURE / FROST INSIDE APPLIANCE		
Moisture forms on inside appliance walls.	* Weather is hot and humid, which increases internal rate of frost build-up.	* This is normal.
	* Door is slightly open.	* See "Door Problems".
	* Door is kept open too long or is opened too frequently.	* Open the door less often.
ODOR IN APPLIANCE		
Odors in appliance.	* Interior needs to be cleaned.	* Clean interior with sponge, warm water, and baking soda.
	* Foods with strong odors are in the appliance.	* Cover the food tightly.
DOOR PROBLEMS		
Door will not close.	* Appliance is not level. It rocks on the floor when it is moved slightly.	* Level the appliance by putting wood or metal shims under part of the appliance.
	* Floor is uneven or weak.	* Ensure floor can adequately support appliance. Level the appliance by putting wood or metal shims under part of the appliance.
LIGHTING PROBLEMS		
Light bulb is not on.	* The fluorescent lamp or light bulb is burned out.	* See "Fluorescent Lamp" or "Interior Light" on Features Section.
	* No electric current is reaching the appliance.	* See "appliance Does Not Run".

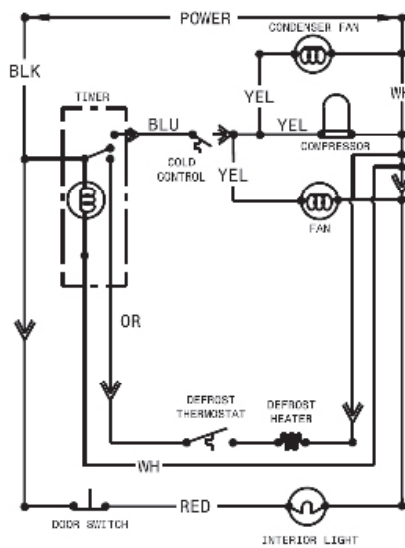
IMPORTANT SAFETY NOTICE

The information provided herein is designed to assist qualified repair personnel only. Untrained persons should not attempt to make repairs due to the possibility of electrical shock. Disconnect the power cord before servicing.

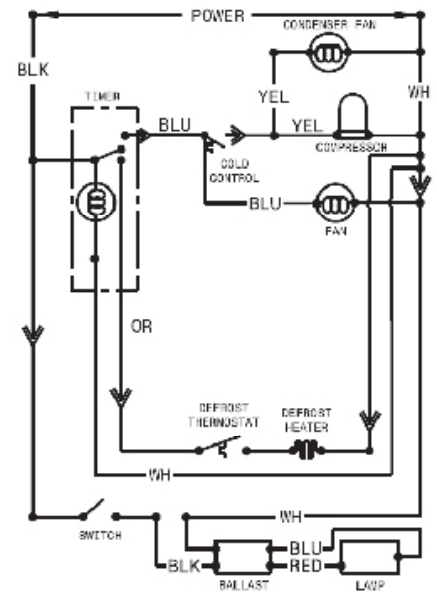
ELECTRICAL CIRCUIT



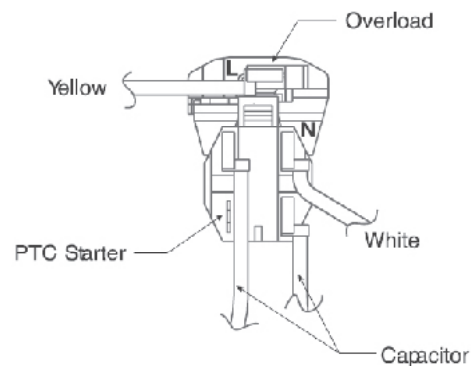
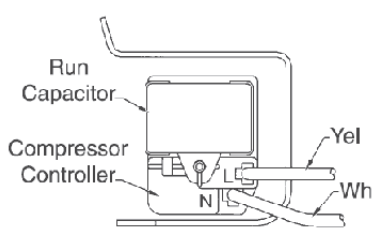
STAINLESS STEEL DOOR REFRIGERATOR



STAINLESS STEEL DOOR FREEZER



GLASS DOOR REFRIGERATOR



IMPORTANT

IF ANY GREEN GROUNDING WIRES ARE REMOVED DURING SERVICING, THEY MUST BE RETURNED TO THEIR ORIGINAL POSITION AND PROPERLY SECURED.